

Intermot Hydraulic Motors IAM•HD Series

H5 Models

IAM•HD 1400 – 1600 – 1800 H5

INDEX

TECHNICAL DATA	Pag. 13
IAM•HD 1400 – 1600 – 1800 H5	Pag. 14
ORDERING INSTRUCTIONS	Pag. 15

IAM•HD H5

Technical data

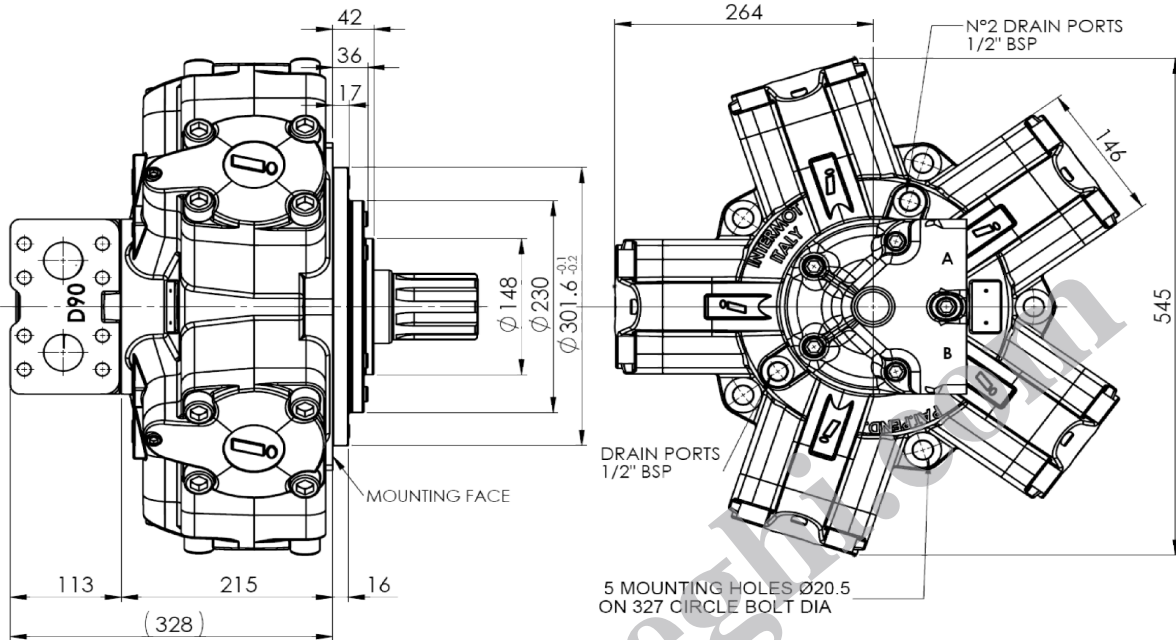
MODEL		N° of pistons	Displacement	Specific Torque	Pressure			Speed		Max Power	Dry Mass	Max case pressure	Max back pressure	Temperature range
					Max Cont.	Max Int.	Peak	Max Cont.	Peak					
					cm ³ /rev	Nm/bar	bar							
IAM•HD H5	1400	5	1376	21.9	270	320	350	410	470	200	173	6	70	-30 ÷ +70
	1600		1648	26.2	270	320	350	370	425	200				
	1800		1815	28.9	270	320	350	340	390	200				

www.Lahedbi.com

IAM•HD H5

Dimensional drawings

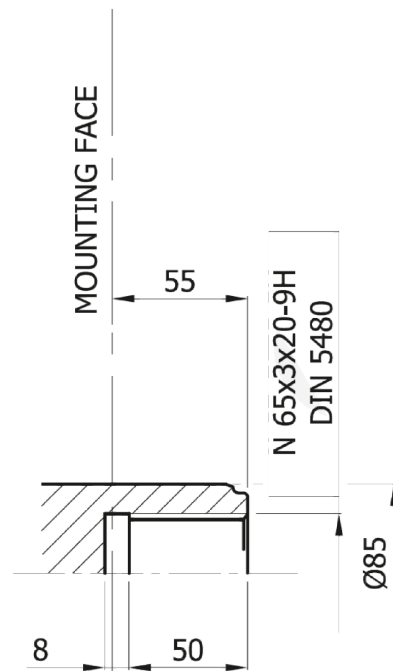
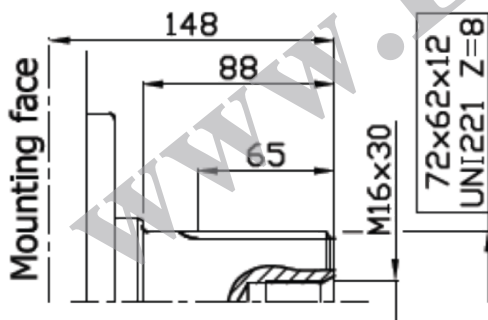
IAM•HD 1400 – 1600 – 1800 H5



SHAFTS

A0: Standard splined shaft

A31: Internal splined shaft on request



IAM•HD H5

Ordering instructions

IAM•HD	_ _ _	H5	A _	D _ _	SB _
Model					
Displacement					
1400 cc/rev					
1600 cc/rev					
1800 cc/rev					
Housing					
			Shaft		
A0 – Standard splined shaft					
A31 – Internal splined shaft on request					
				Distributor	
D75					
					Splined Billet
SB6 – 62 UNI 221					

EXAMPLE: IAM•HD 1600 H5 A0 D90